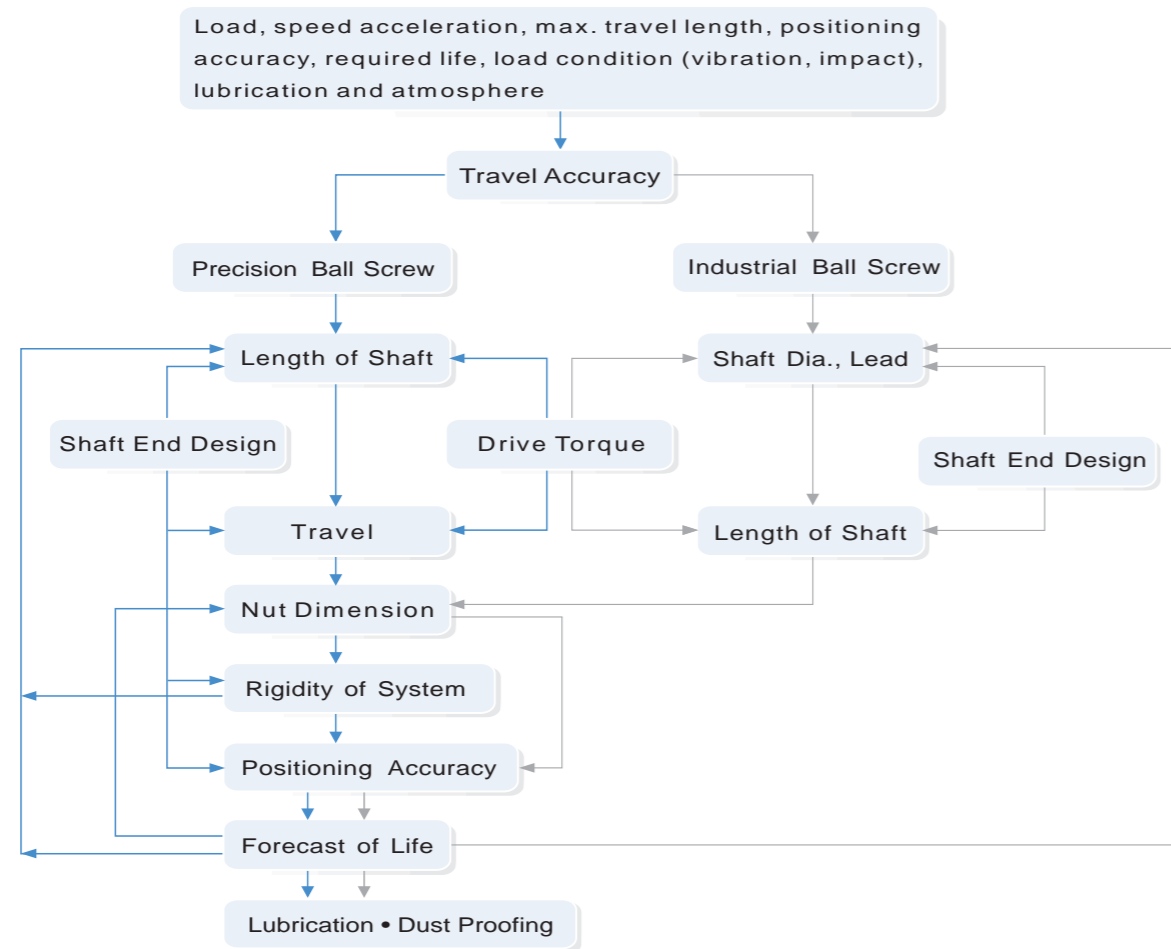


Speciation Number of Ball Screw

Condition

- Accuracy
- Screw Shaft Design
- Drive Torque
- Nut Design
- Rigidity
- Positioning Accuracy
- Life Design
- Lubrication and safety design

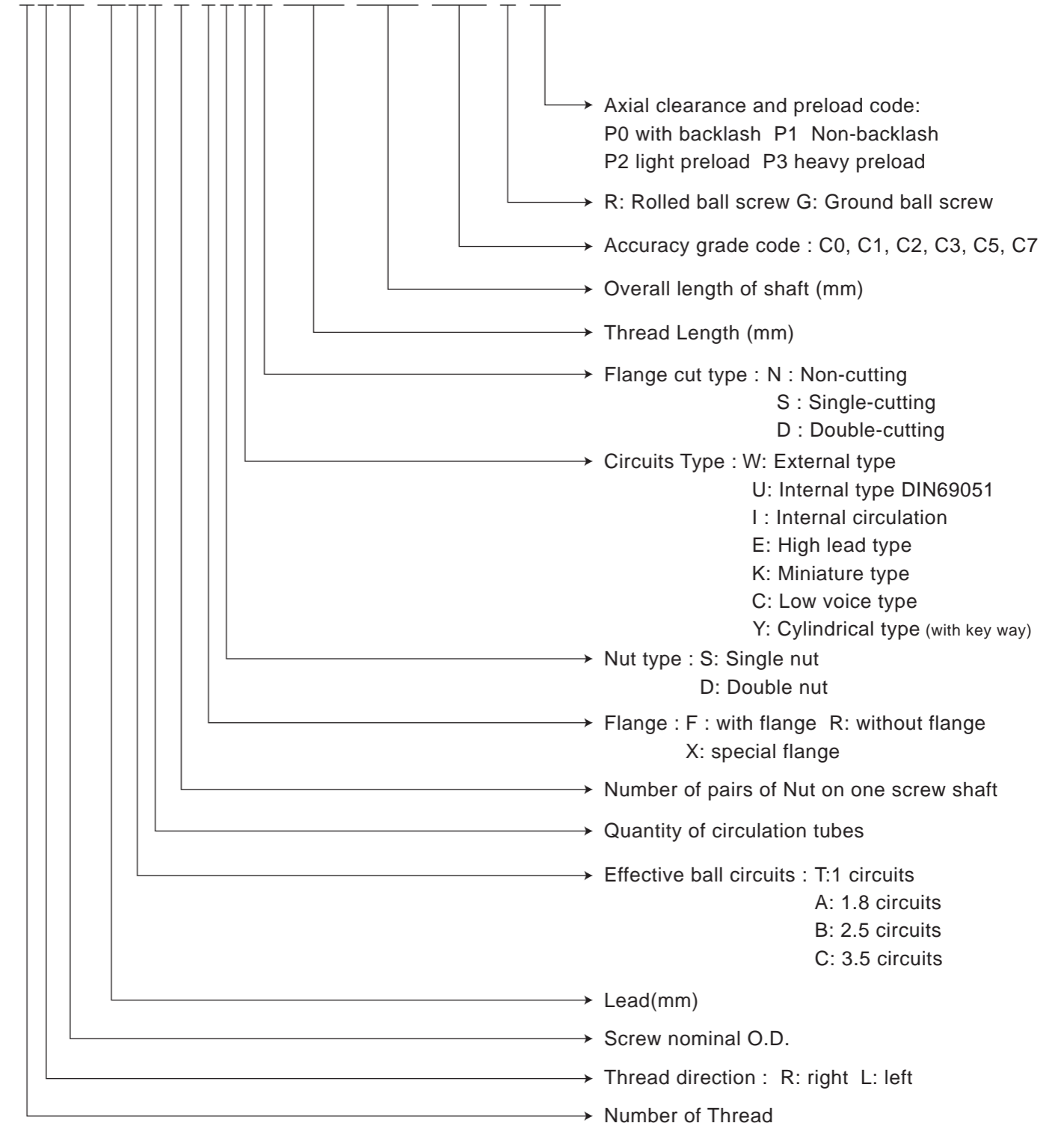


Ground & Rolled

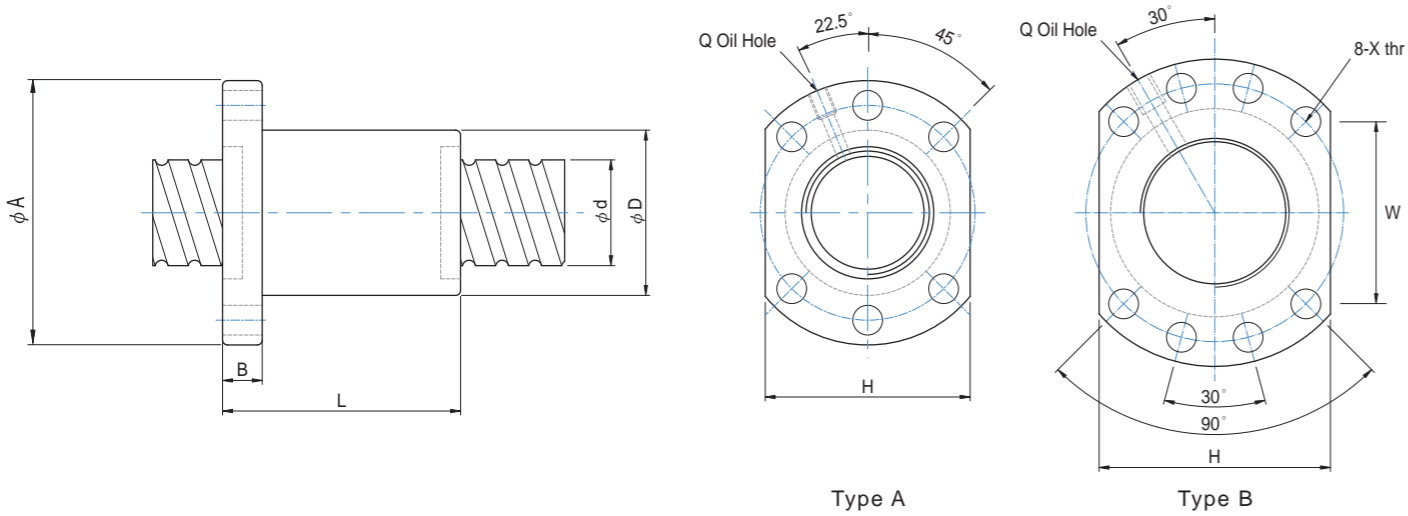
Dia. \ Lead	1	2	2.5	3	4	5	5.08	6	8	10	12	16	20	24	25	32	40	50
6	●																	
8	●	●	●															
10		●		●	●													
12					●	●				●								
14		●			●	●												
15										●			●					
16		●			●	●				●		●						
20					○	●		○	○	●		●						
25					●	●	○	○	○	○					●			
28						○		○	○	○								
32					○	●	○	○	○	●	○		●			●		
36						○		○	○	○	○			○				
40						●		○	○	●	○		●				●	
45										○	○							
50						○		○	○	●	○		●					●
63										●	○		●					
80										●	○	○	●					

● means rolled ball screw ○ means ground ball screw

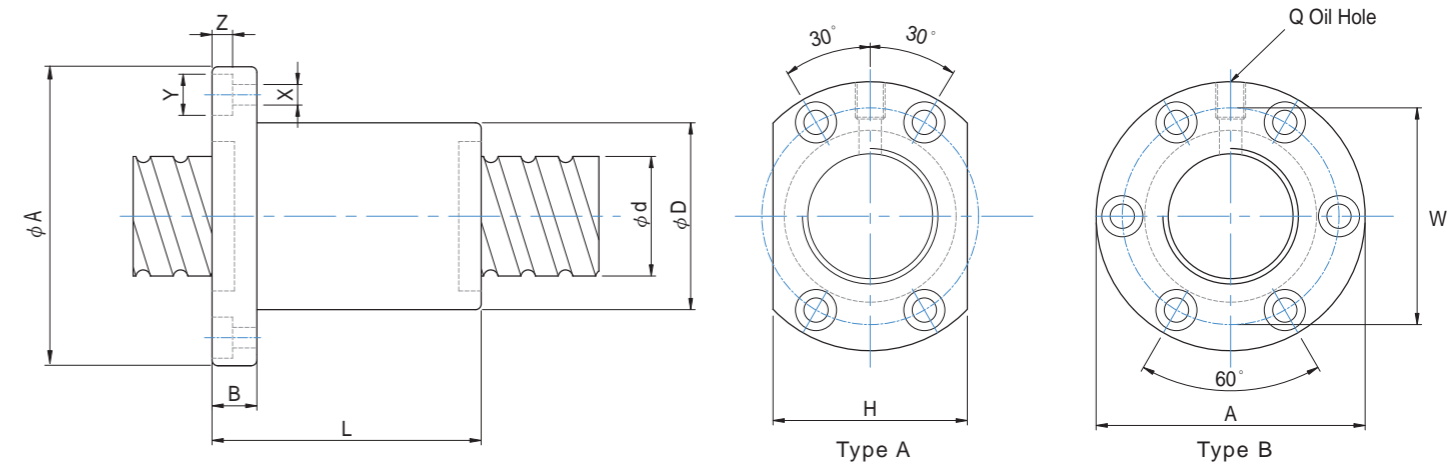
2R25-25A2-2-FSED-2000-2500-0.05-R-P2



8.1 Type: FSU (DIN69051)



8.2 Type: FSI



Unit : mm

Model No.	Dimensions																
	d	l	Da	D	A	B	L	W	X	Type	H	Q	n	Ca (Kgf)	Coa (kgf)	K	
★ 1605-3	16	5	3.175	28	48	10	42	38	5.5	A	40	M6	3	765	1240	17	
★ 1605-4	16	5	3.175	28	48	10	50	38	5.5	A	40	M6	4	780	1790	17	
1610-3	16	10	3.175	28	48	12	43.3	38	5.5	A	40	M6	3	716	1232	15	
2005-4	20	5	3.175	36	58	10	53	47	6.6	A	44	M6	4	1100	2280	21	
2504-4	25	4	2.381	40	62	11	46	51	6.6	A	48	M6	4	775	2045	33.4	
2505-4	25	5	3.175	40	62	10	53	51	6.6	A	48	M6	4	1250	3070	26	
2510-3	25	10	4.762	40	62	12	75	51	6.6	A	48	M6	3	1620	3205	26	
2510-4	25	10	4.762	40	62	12	85	51	6.6	A	48	M6	4	1944	3877	27	
★ 3205-4	32	5	3.175	50	80	12	53	65	9	A	62	M6	4	1400	4080	32	
3210-3	32	10	6.35	50	80	16	77.5	65	9	A	62	M6	3	2605	5310	34	
3210-4	32	10	6.35	50	80	16	90	65	9	A	62	M6	4	3390	7170	34	
4005-4	40	5	3.175	63	93	16	56	78	9	B	70	M8	4	1575	5290	38	
4006-4	40	6	3.969	63	93	14	60	78	9	B	70	M8	4	1889	5317	53	
4010-4	40	10	6.35	63	93	18	93	78	9	B	70	M8	4	3850	9470	41	
5010-4	50	10	6.35	75	110	18	93	93	11	B	85	M8	4	4390	12400	50	
6310-4	63	10	6.35	90	125	18	98	108	11	B	95	M8	4	5070	16600	80	
6320-3	63	20	9.525	95	135	20	138	115	13.5	B	100	M8	3	8490	23610	74	
8010-4	80	10	6.35	105	145	20	98	125	13.5	B	110	M8	4	5620	21300	90	
8020-3	80	20	9.525	125	165	25	143	145	13.5	B	130	M8	3	6302	19008	86	

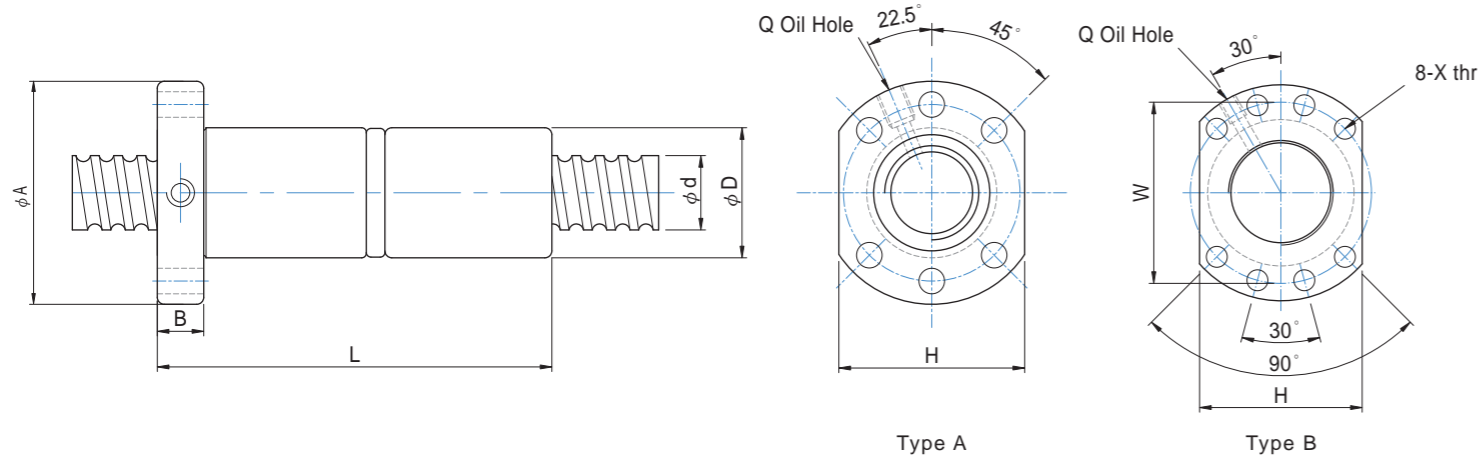
★ Left Thread Available

Unit : mm

Model No.	Dimensions																	
	d	l	Da	D	A	B	L	W	X	Y	Z	Type	H	Q	n	Ca (Kgf)	Coa (kgf)	K
1404-4	14	4	2.381	26	46	10	47	36	4.5	8	4.5	A	34	M6	4	400	890	18
1604-4	16	4	2.381	30	49	10	45	39	4.5	8	4.5	A	34	M6	4	625	1253	21.8
★ 1605-3	16	5	3.175	30	49	10	42	39	4.5	8	4.5	A	34	M6	4	760	1240	17
★ 1605-4	16	5	3.175	30	49	10	50	39	4.5	8	4.5	A	34	M6	4	780	1790	17
1610-4	16	10	3.175	34	58	10	54.6	45	5.5	9.5	5.5	A	36	M6	4	918	1643	15
2005-4	20	5	3.175	34	57	12	53	45	5.5	9.5	5.5	A	40	M6	4	1100	2280	21
2504-4	25	4	2.381	40	63	11	46	51	5.5	9.5	5.5	A	46	M6	4	775	2045	33.4
2505-4	25	5	3.175	40	63	12	53	51	5.5	9.5	5.5	A	46	M8	4	1250	3070	26
2510-4	25	10	4.762	46	72	12	85	58	6.5	11	6.5	A	52	M6	4	1944	3877	27
★ 3205-4	32	5	3.175	46	72	12	53	58	6.5	11	6.5	A	52	M8	4	1400	4080	32
3206-4	32	6	3.969	62	89	12	63	75	6.5	11	6.5	B	-	M8	4	1706	4217	43
3210-4	32	10	6.35	54	88	16	90	70	9	14	8.5	A	62	M8	4	3390	7170	34
4005-4	40	5	3.175	56	90	16	56	72	9	14	8.5	A	64	M8	4	1575	5290	38
4010-4	40	10	6.35	62	104	18	93	82	11	17.5	11	A	70	M8	4	3850	9470	41
5010-4	50	10	6.35	72	114	18	93	92	11	17.5	11	A	82	M8	4	4390	12400	50
6310-4	63	10	6.35	90	125	18	98	108	14	20	13	B	-	M8	4	5070	16600	80
6320-3	63	20	9.525	95	135	20	138	115	18	26	17.5	B	-	M8	3	8490	23610	74
8010-4	80	10	6.35	105	145	20	98	125	14	20	13	B	-	M8	4	5620	21300	90
8020-3	80	20	9.525	125	165	25	143	145	18	26	17.5	B	-	M8	3	6302	19008	86

★ Left Thread Available

8.3 Type: FDU (DIN69051)

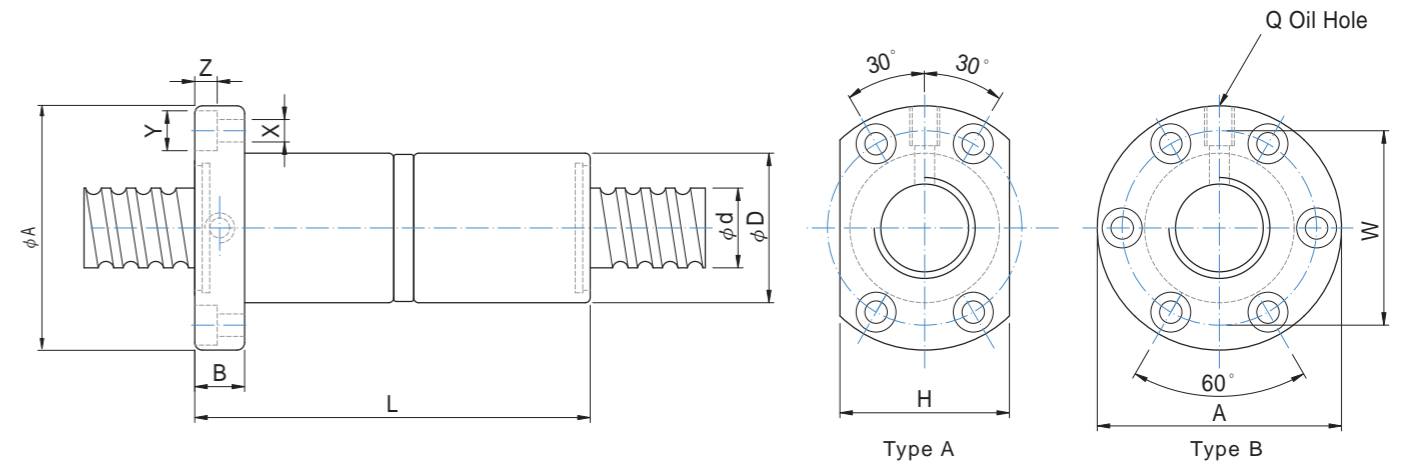


Unit : mm

Model No.	Dimensions															
	d	l	Da	D	A	B	L	W	X	Type	H	Q	n	Ca(Kgf)	Coa(kgf)	K
★ 1605-3	16	5	3.175	28	48	10	80	38	5.5	A	40	M6	3	780	1790	37
2005-4	20	5	3.175	356	58	12	92	47	6.6	A	44	M6	4	1100	2280	49
2505-4	25	5	3.175	40	62	12	92	51	6.6	A	48	M6	4	1250	3070	58
2510-4	25	10	4.762	40	62	12	153	51	6.6	A	48	M6	4	1944	3877	49
★ 3205-4	32	5	3.175	50	80	12	92	65	9	A	62	M6	4	1400	4080	70
3210-4	32	10	6.35	50	80	16	160	65	9	A	62	M64	4	3390	7170	79
4005-4	40	5	3.175	63	93	15	96	78	9	B	70	M8	4	1575	5290	84
4010-4	40	10	6.35	63	93	18	162	78	9	B	70	M8	4	3850	9470	97
5010-4	50	10	6.35	75	110	16	162	93	11	B	85	M8	4	4390	12400	115
6310-4	63	10	6.35	90	125	18	182	108	11	B	95	M8	4	5070	16600	80
6320-3	63	20	9.525	95	135	20	253	115	13.5	B	100	M8	3	8490	23610	74
8010-4	80	10	6.35	105	145	20	182	125	13.5	B	110	M8	4	5620	21300	90
8020-3	80	20	9.525	125	165	25	253	145	13.5	B	130	M8	3	6302	19008	86

★ Left Thread Available

8.4 Type: FDI

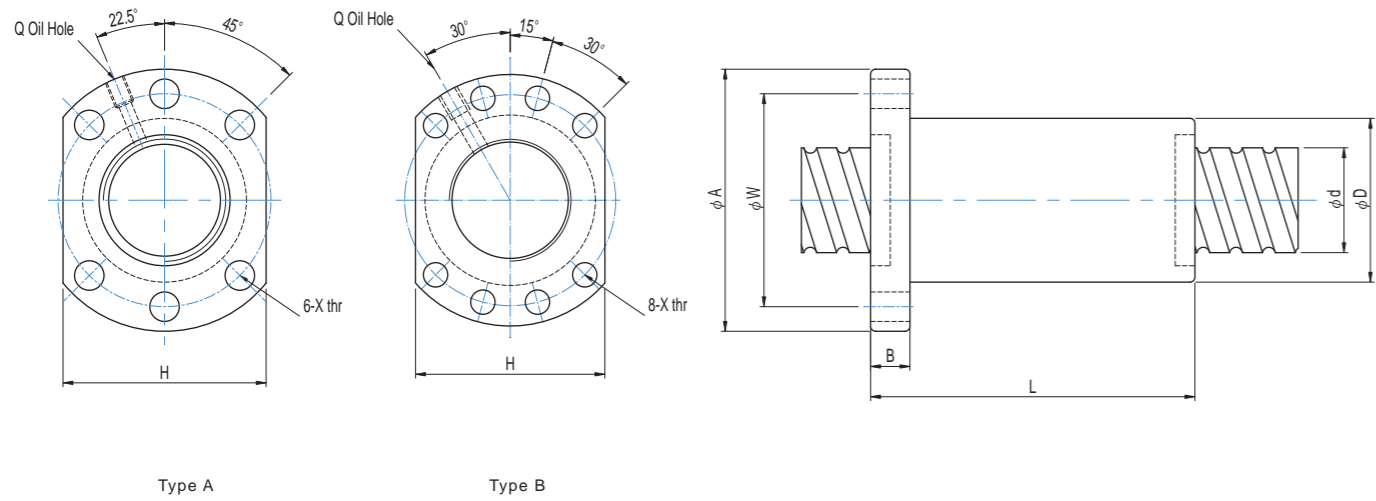


Unit : mm

Model No.	Dimensions																	
	d	l	Da	D	A	B	L	W	X	Y	Z	Type	H	Q	n	Ca(Kgf)	Coa(kgf)	K
★ 1605-3	16	5	3.175	30	49	10	80	39	4.5	8	4.5	A	34	M6	3	780	1790	37
2005-4	20	5	3.175	34	57	12	92	45	5.5	9.5	5.5	A	40	M6	4	1100	2280	49
2505-4	25	5	3.175	40	63	12	92	51	5.5	9.5	5.5	A	46	M8	4	1250	3070	58
2510-4	25	10	4.762	46	72	12	156	58	6.5	11	6.5	A	52	M6	4	1944	3877	49
★ 3205-4	32	5	3.175	46	72	12	92	58	6.5	11	6.5	A	52	M8	4	1400	4080	70
3210-4	32	10	6.35	54	88	16	160	70	9	14	8.5	A	62	M8	4	3390	7170	79
4005-4	40	5	3.175	56	90	16	96	72	9	14	8.5	A	64	M8	4	1575	5290	84
4010-4	40	10	6.35	62	104	18	162	82	11	17.5	11	A	70	M8	4	3850	9470	97
5010-4	50	10	6.35	72	114	18	162	92	11	17.5	11	A	82	M8	4	4390	12400	115
6310-4	63	10	6.35	85	131	22	182	107	14	20	13	B	-	M8	4	5070	16600	80
6320-3	63	20	9.525	95	135	20	253	115	18	26	17.5	B	-	M8	3	8490	23610	74
8010-4	80	10	6.35	105	150	22	182	127	14	20	13	B	-	M8	4	5620	21300	90
8020-3	80	20	9.525	125	165	25	253	145	18	26	17.5	B	-	M8	3	6302	19008	86

★ Left Thread Available

8.5 Type: FSC (DIN69051)

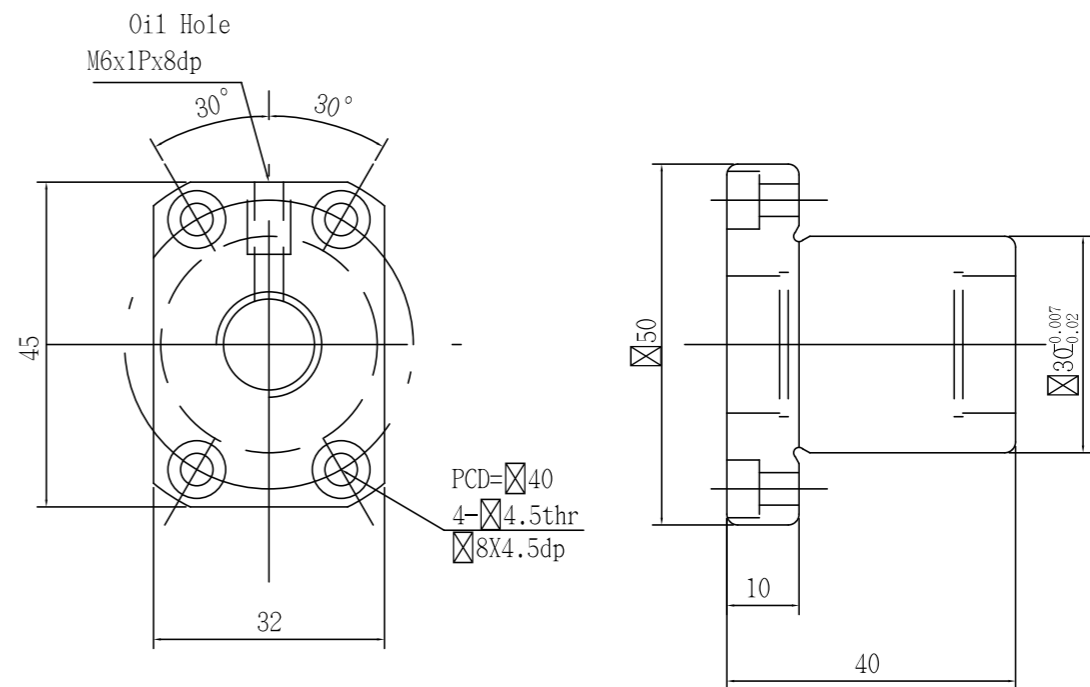
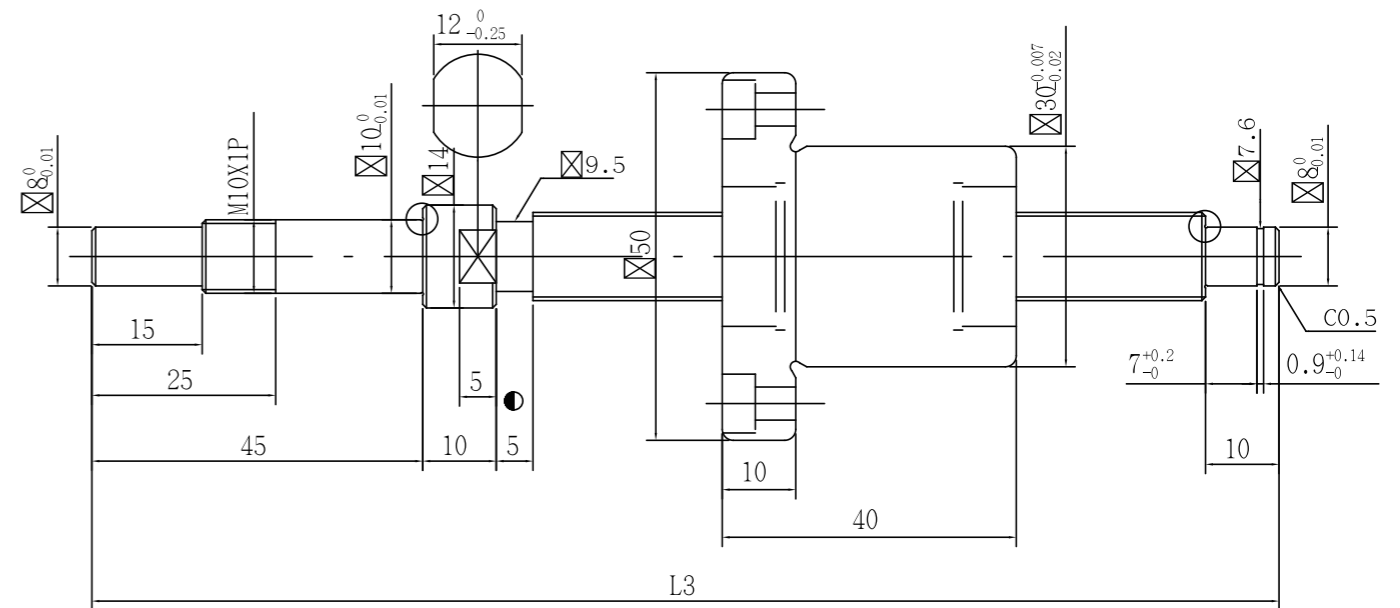


Unit : mm

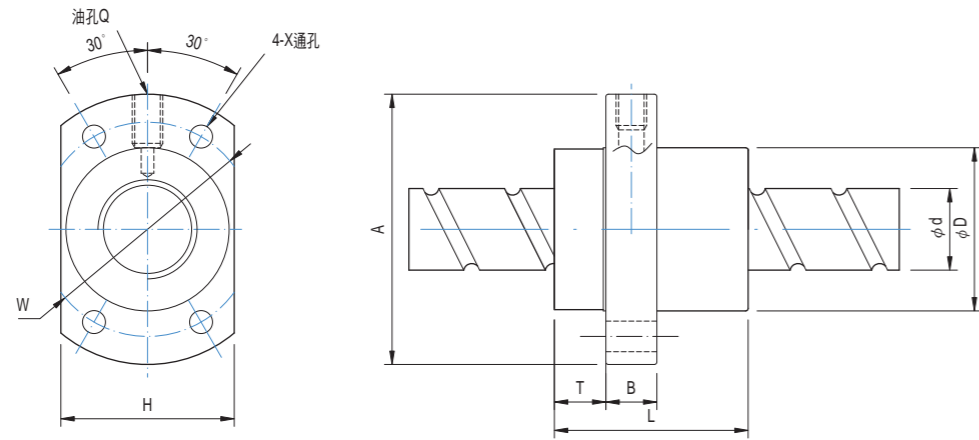
Model No.	Dimensions													Ca(Kgf)	Coa(kgf)
	d	l	Da	D	A	B	L	W	X	Type	H	Q	n		
⊙ 1210-2	12	10	2	30	-	10	40	40	8	-	32	M6	2	255	367
★ 1605-4	16	5	3.175	28	48	12	34	38	5.5	A	40	M6	4	1255	1642
1610-3	16	10	3.175	28	48	12	43.3	38	5.5	A	40	M6	3	716	1232
1616-3	16	16	3.175	28	48	12	61	38	5.5	A	40	M6	3	716	1232
★ 2005-4	20	5	3.175	36	58	10	53	47	6.6	A	44	M6	4	1459	2193
★ 2505-4	25	5	3.175	40	62	10	53	51	6.6	A	48	M6	4	1622	2774
2510-4	25	10	3.5	40	62	12	64	51	6.6	A	48	M6	4	1845	3020
★ 3205-4	32	5	3.175	50	80	12	53	65	9	A	62	M6	4	2203	4080
3220-6	32	20	3.969	50	80	13	78	65	9	A	62	M6	3	2009	3437
★ 4005-4	40	5	3.175	63	93	16	56	78	9	B	70	M8	4	2968	6538
4020-3	40	20	5.556	63	93	15	83	78	9	B	70	M8	3	3866	6406
5010-4	50	10	6.35	75	110	18	90	93	11	B	85	M8	4	8129	16983
5020-5	50	20	6.35	75	110	18	121	93	11	B	85	M8	5	77121	15269

- ★ Left Thread Available
- ⊙ nut design reference in 8.5.1

8.5.1 FSC 1210 standard set



8.6 Type: FSE

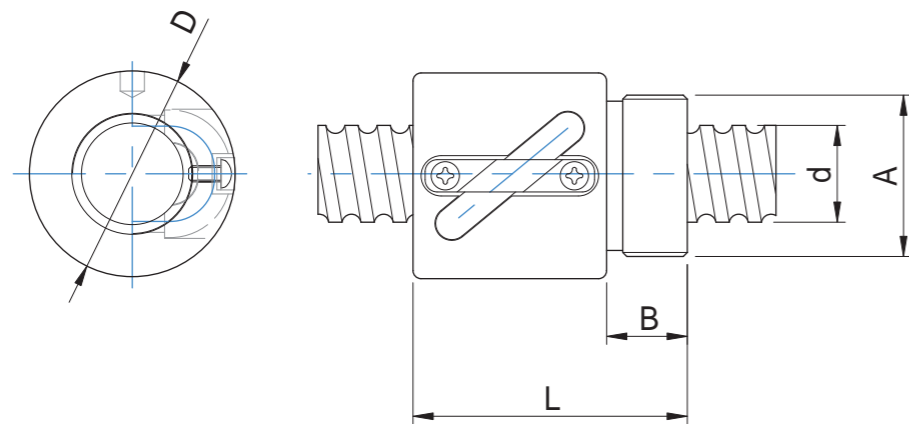


Unit : mm

Model No.	Dimensions															
	d	l	Da	D	A	B	T	L	W	X	H	Q	Ca(Kgf)	Coa(kgf)	(Circuit x Row)	K
1616-2	16	16	3.175	32	53	10	10.5	45	42	4.5	38	M6	719	1429	1.8X2	9
★ 2020-2	20	20	3.175	39	62	10	10.8	52	50	5.5	46	M6	780	2280	1.8X2	21
2525-2	25	25	3.969	47	74	12	11.2	64	60	6.6	56	M6	1230	3570	1.8X2	27
3232-2	32	32	4.762	58	92	15	14	80	74	9	68	M6	1760	5500	1.8X2	33
4040-2	40	40	6.35	73	114	17	17	100	93	11	84	M6	2870	9170	1.8X2	42
5050-2	50	50	7.938	90	135	20	21.5	123	112	14	92	M6	5100	13800	1.8X2	58

★ Left Thread Available

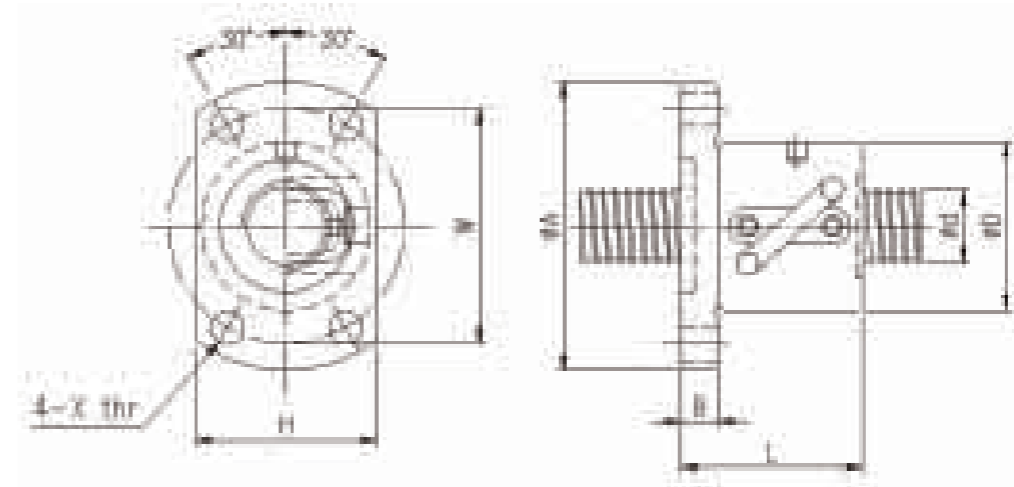
8.7 Type: RSW



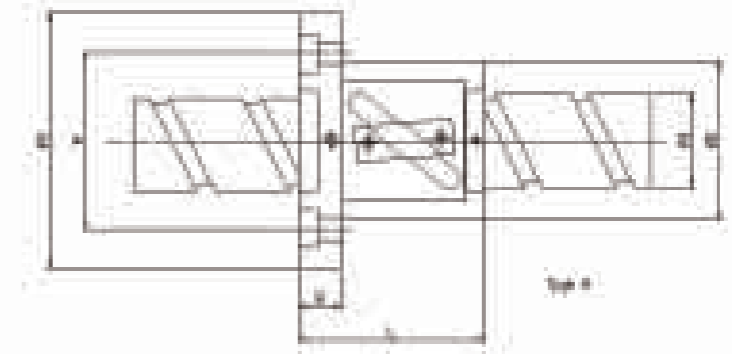
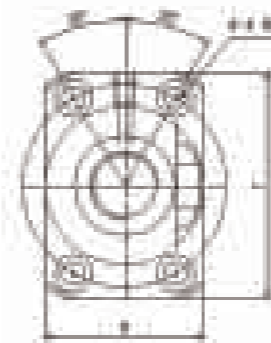
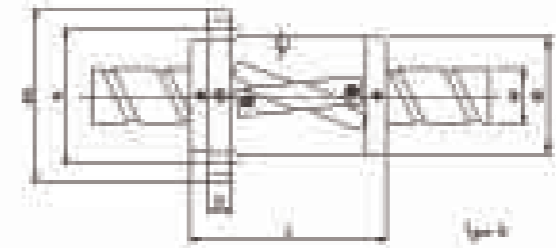
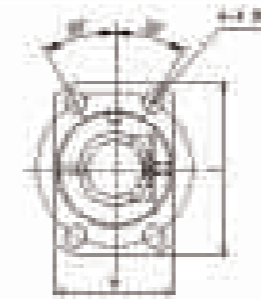
Unit : mm

Model No.	Dimensions									
	d	l	Da	D	A	B	L	Ca(Kgf)	Coa(kgf)	(Circuit x Row)
08x2.5	8	2.5	1.2	17.5	M15X1P	7.5	23.5	151	232	2.5x1
1003	10	3	1.8	21	M18X1P	9	29	235	357	2.5x1
1204	12	4	2.381	25.5	M20X1P	10	34	425	738	3.5x1
1205	12	5	2	25.5	M20X1P	10	39	662	1036	3.5x1
1605	16	5	3.175	32.5	M20X1P	12	42	716	1230	2.5x1

8.8 Type: FSW



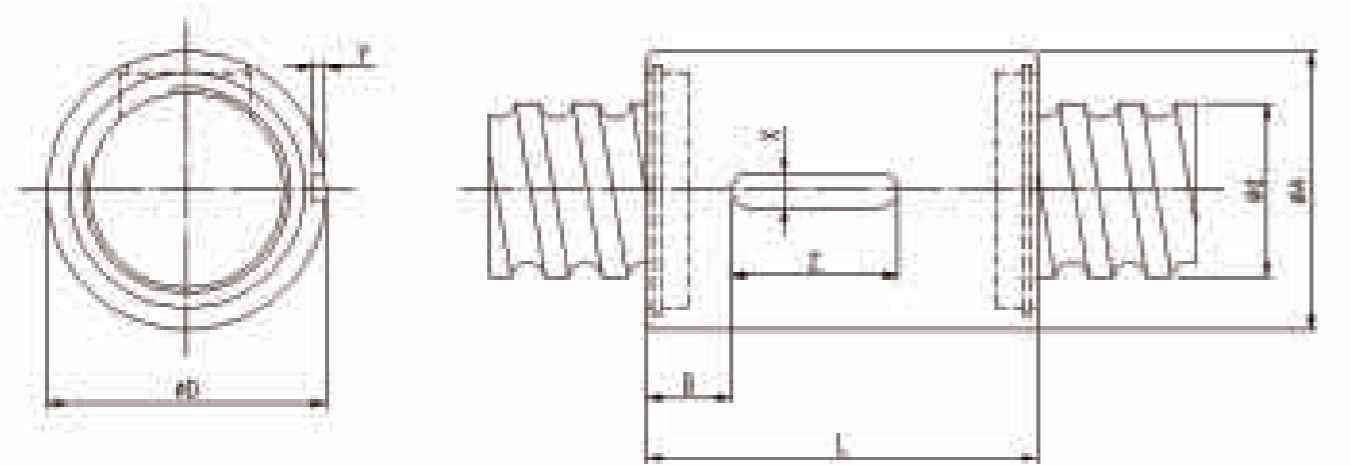
Type c



Unit : mm

Model No.	Dimensions																
	d	l	Da	D	A	B	L	W	X	Y	Z	H	T	Type	n	Ca(Kgf)	Coa(kgf)
1204	12	4	2.381	28	48	6	30	39	5.5	-	-	30	-	C	3.5X1	425	738
1205	12	5	2	28	48	6	35	39	5.5	-	-	-	-	C	2.5X1	662	1036
1520	15	20	3.175	34	55	7	57	45	6	-	-	34	50	B	1.5X1	4560	7730
2010	20	10	3.969	46	74	13	54	59	6.6	11	6.3	46	66	A	2.5X1	1146	1958

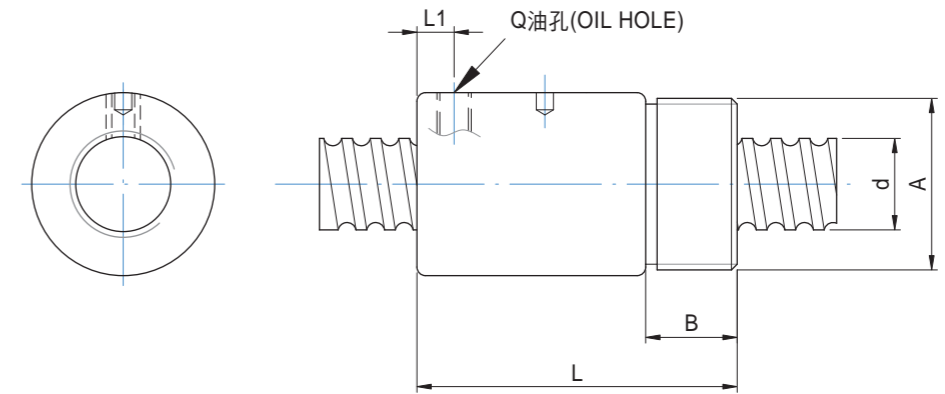
8.9 Type: RSY



Unit : mm

Model No.	Dimensions										Ca(Kgf)	Coa(kgf)
	d	l	Da	D	L	B	X	Y	Z			
1605-4	16	5	3.175	28	34	11	5	2	17	1255	1642	
2005-4	20	5	3.175	36	36	11	5	2	17	1459	2193	
2505-4	25	5	3.175	40	36	11	5	2	17	1622	2774	
3205-4	32	5	3.175	50	45	7.5	6	2	30	1400	4080	
3210-3	32	10	6.35	50	70	15	6	2.5	30	2605	5310	
4005-4	40	5	3.175	63	45	7.5	6	2.5	30	1575	5290	
4010-4	40	10	6.35	63	80	15	6	2.5	30	3010	7100	
4020-3	40	20	5.556	63	83	20	6	2.5	30	3866	6406	
5010-4	50	10	6.35	75	82	23	6	2.5	30	3430	9300	
6310-4	63	10	6.35	85	98	29	6	3.5	32	5070	16600	

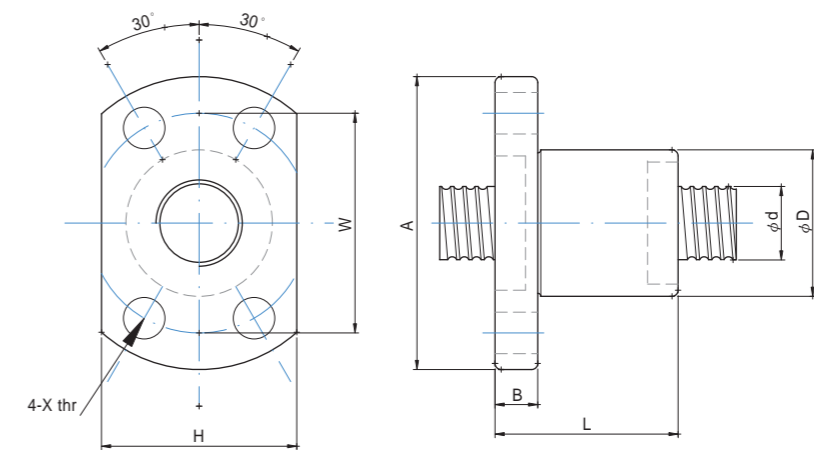
8.10 Type: RSU



Unit : mm

Model No.	Dimensions										Ca(Kgf)	Coa(kgf)	(Circuit x Row)
	d	l	Da	D	A	B	L	Q	L1				
1604-3	16	4	2.381	29	M22X1.5P	8	32	M5	4	491	952	1X3	
1605-3	16	5	3.175	32	M30X1.5P	16	56	M6	6.5	780	1790	1X4	
2005-4	20	5	3.175	38	M35X1.5P	16.5	59.6	M6	7	1100	2280	1X4	
2505-4	25	5	3.175	42	M40X1.5P	17	60	M6	7	1250	3070	1X4	
2510-4	25	10	4.762	42	M40X1.5P	17	90	M6	10	1944	3877	1X4	
3205-4	32	5	3.175	52	M48X1.5P	19	60	M6	7	1400	4080	1X4	
3210-4	32	10	6.35	52	M48X1.5P	19	93	M6	12	3390	7170	1X4	
4005-4	40	5	3.175	58	M56X1.5P	19	59	M8	6	1575	5290	1X4	
4010-4	40	10	6.35	65	M60X2P	27	102	M8	12	3850	9470	1X4	
5010-4	50	10	6.35	78	M72X2P	29	104	M8	12	4390	12400	1X4	

8.11 Type: FSK



Unit : mm

Model No.	Dimensions										Ca(Kgf)	Coa(kgf)	
	d	l	Da	D	A	B	L	W	X	H			n
0601-3	6	1	0.8	12	24	3.5	15	18	3.4	16	3	73	121
0801-4	8	1	0.8	14	27	4	16	21	3.4	18	4	93	173
0802-3	8	2	1.2	16	29	4	16	23	3.4	20	3	135	225
082.5-3	8	2.5	1.2	16	29	4	26	23	3.4	20	3	177	278
1002-3	10	2	1.2	18	35	5	28	27	4.5	22	3	185	305
1004-3	14	4	2	26	46	10	34	36	4.5	28	3	395	590