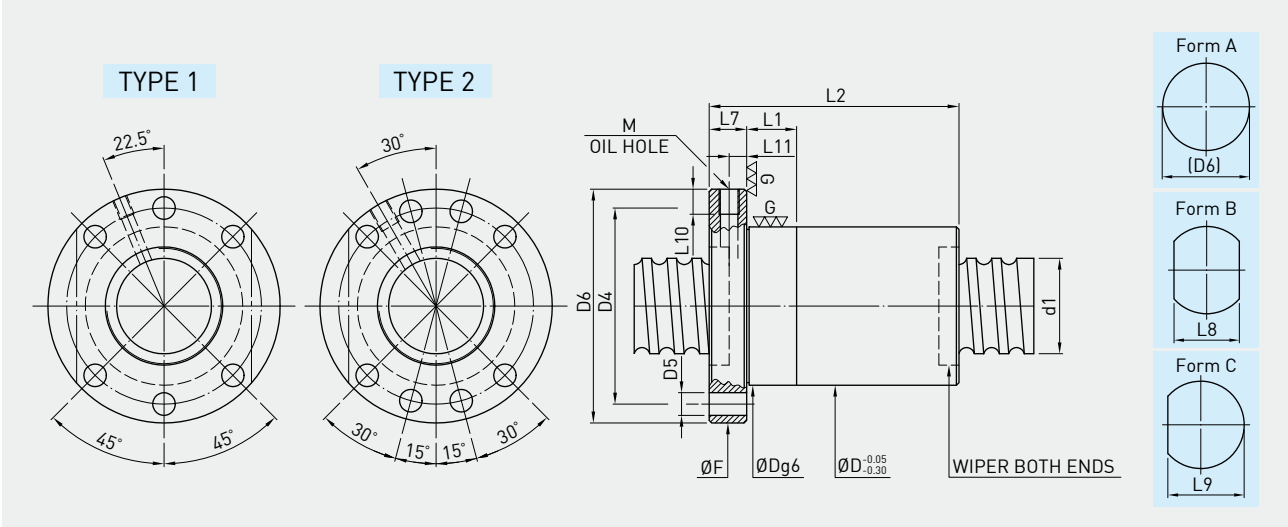
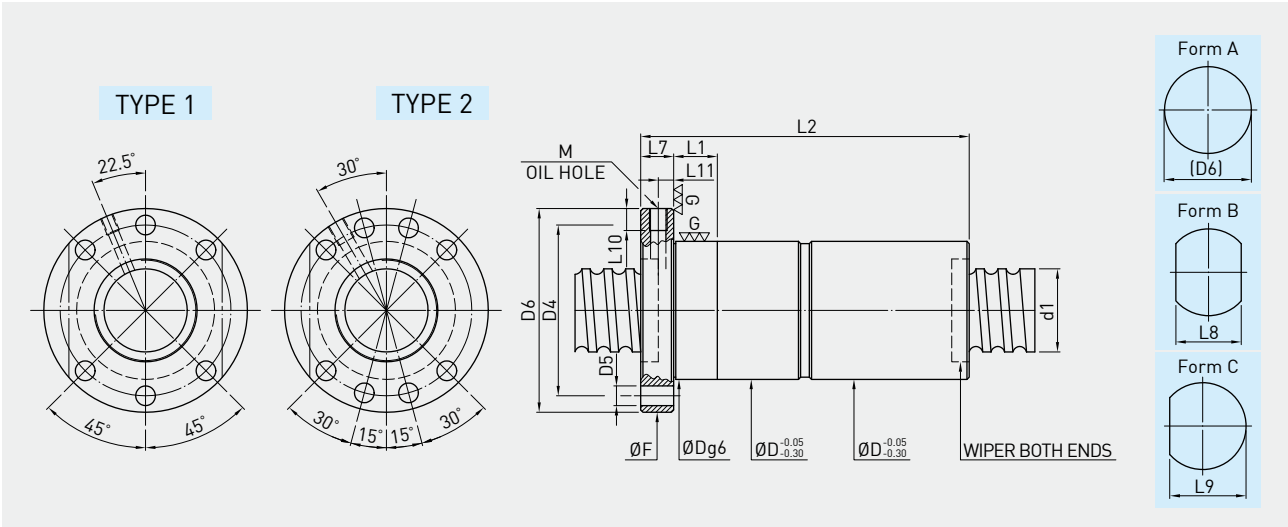


FSC TYPE



Model	Size		Ball Dia.	Circuits	Dynamic Load C(KN)	Static Load Co(KN)	Nut			Flange						Oil Hole																	
	Nominal Dia.	Lead					D	L1	L2	TYPE	Form A (D6)	Form B (L8)	Form C (L9)	L7	D4	D5	M	L10	L11														
15-10K3	15	10	3.175	K3	960	1930	30	10	44	1	55	41	48	10	45	5.5	M6x1P	8	5														
20-10K3	20	10	3.175	K3	1130	2660	36	10	48	1	58	44	51	10	47	6.6	M6x1P	8	5														
20-20K2		20		K2	760	1730		10	57																								
25-10K3	25	10	3.175	K3	1260	3370	40	10	51	1	62	48	55	10	51	6.6	M6x1P	8	5														
25-25K2		15		K2	810	2170		10	70																								
25-12K4		12		3.969	K4	2200		5640	43											10	68	65	51	58	10	54							
32-5K4	32	5	3.175	K4	1850	5970	48	10	38	1	70	55	62	12	59	9	M6x1P	8	6														
32-8K5		8		K5	3080	9460		10	63																								
32-20K3		20		3.969	K3	1900		5430	50											20	88	80	62	71	12	65							
32-32K2		32			K2	1280		3530												20	88												
32-10K5		10		4.763	K5	3850		10890	56											10	79	86	65	75.5	14	71							
32-12K5		12			K5	5620		14450												10	77												
32-12K5		12			6.35	K5		5620												14450	57						20	87	87	69	78	14	72
32-16K4		16				K4		4570												11390							20	90					
32-20K4		20		K4	4530	11310		20	107																								
36-10K5		36		10	6.35	K5		6010	16440											61	20	80	2	91	68	79.5	14	76	9	M8x1P	10	7	
36-12K5	12		K5	5990		16420	20	87																									
36-16K5	16		K5	5960		16350	20	108																									
36-20K5	20		K5	5920		16270	20	128																									
36-36K2	36		K2	2540		6540	20	95																									
38-10K6	38	10	6.35	K6	7270	21060	63	20	90	2	93	70	81.5	14	73	9	M8x1P	10	7														
38-12K6		12		K6	7260	21030		20	99																								
38-16K5		16		K5	6140	17340		20	108																								
38-20K5		20		K5	6100	17260		25	128																								
38-25K4		25		K4	4940	13560		25	126																								
38-40K2	40	K2	2590	6560	25	102																											
40-10K6	40	10	6.35	K6	7270	21060	65	20	90	2	93	70	81.5	14	78	9	M8x1P	10	7														
40-12K6		12		K6	7260	21030		20	99																								
40-16K5		16		K5	6140	17340		20	108																								
40-20K5		20		K5	6100	17260		25	128																								
40-25K4		25		K4	4940	13560		25	108																								
40-40K2		40		K2	2590	6560		25	102																								
45-10K6	45	10	6.35	K6	8010	25760	70	20	90	2	105	80	92.5	16	88	11	M8x1P	10	8														
45-12K6		12		K6	8000	25730		20	101																								
45-16K5		16		K5	6780	21240		20	107																								
45-20K5		20		K5	6750	21170		25	128																								
45-25K5		25		K5	6700	21060		25	154																								
45-30K4		30		K4	5440	16570		25	150																								
45-40K3		40		K3	4100	12020		25	145																								
45-16K5		16		7.144	K5	7810		23230	74											20	119	109	84	96.5									
45-20K5	20	K5	7770		23150	25	139																										
50-10K6	50	10	6.35	K6	8290	28160	75	20	90	2	110	85	97.5	16	93	11	M8x1P	10	8														
50-12K6		12		K6	8290	28130		20	101																								
50-16K6		16		K6	8260	28070		20	126																								
50-20K6		20		K6	8230	28000		25	148																								
50-25K5		25		K5	6960	23070		25	154																								
50-30K4		30		K4	5650	18170		25	148																								
50-40K3		40		K3	4390	13750		25	145																								

FSC TYPE



Model	Size		Ball Dia.	Circuits	Dynamic Load C(KN)	Static Load Co(KN)	Nut			Flange						Oil Hole																												
	Nominal Dia.	Lead					D	L1	L2	TYPE	Form A (D6)	Form B (L8)	Form C (L9)	L7	D4	D5	M	L10	L11																									
15-10K3	15	10	3.175	K3	960	1930	30	10	92	1	55	41	48	10	45	5.5	M6x1P	8	5																									
20-10K3	20	10	3.175	K3	1130	2660	36	10	100	1	58	44	51	10	47	6.6	M6x1P	8	5																									
20-20K2		20		K2	760	1730		10	118																																			
25-10K3	25	10	3.175	K3	1260	3370	40	10	106	1	62	48	55	10	51	6.6	M6x1P	8	5																									
25-25K2		15		K2	810	2170		10	144																																			
25-12K4		12	3.969	K4	2200	5640		43	10											140																								
32-5K4	32	5	3.175	K4	1850	5970	48	10	80	1	80	62	71	12	59																													
32-8K5		8	3.969	K5	3080	9460		10	130																																			
32-20K3		20	3.175	K3	1900	5430	50	20	180											86	65	75.5	14	71	9	M6x1P	8	6																
32-32K2		32	4.763	K2	1280	3530		20	180																																			
32-10K5		10	6.35	4.763	K5	3850	10890	56	10											162	87	69	78	14	72																			
32-12K5					12	K5	5620		14450											20											178													
32-16K4					16	K4	4570		11390											57											20	184												
32-20K4					20	K4	4530		11310																						20	218												
36-10K5					36	6.35	6.35		K5											6010											16440	61	20	164	2	91	68	79.5	14	76	9	M8x1P	10	7
36-12K5									12											K5											5990		16420	20										
36-16K5	16	K5	5960	16350				20	220																																			
36-20K5	20	K5	5920	16270				20	260																																			
36-36K2	36	K2	2540	6540				20	194																																			
38-10K6	38	6.35	6.35	K6	7270	21060	63	20	184	2	93	70	81.5	14	78	9	M8x1P	10	7																									
38-12K6				12	K6	7260		21030	20											202																								
38-16K5				16	K5	6140		17340	20											220																								
38-20K5				20	K5	6100		17260	25											260																								
38-25K4				25	K4	4940		13560	25											256																								
38-40K2				40	K2	2590		6560	25											208																								
40-10K6	40	6.35	6.35	K6	7270	21060	65	20	184	2	93	70	81.5	14	78	9	M8x1P	10	7																									
40-12K6				12	K6	7260		21030	20											202																								
40-16K5				16	K5	6140		17340	20											220																								
40-20K5				20	K5	6100		17260	25											260																								
40-25K4				25	K4	4940		13560	25											256																								
40-40K2				40	K2	2590		6560	25											208																								
45-10K6				45	6.35	6.35		K6	8010											25760	70	20	184	2	105	80	92.5	16	88	11	M8x1P	10	8											
45-12K6	12	K6	8000				25730	20	206																																			
45-16K5	16	K5	6780				21240	20	218																																			
45-20K5	20	K5	6750				21170	25	260																																			
45-25K5	25	K5	6700				21060	25	312																																			
45-30K4	30	K4	5440				16570	25	340																																			
45-40K3	40	K3	4100				12020	25	294																																			
45-16K5	16	7.144	7.144				K5	7810	23230	74	20	242	109	84	96.5																													
45-20K5							20	K5	7770		23150	25																						282										
50-10K6							50	6.35	6.35		K6	8290																						28160	75	20	184	2	110	85	97.5	16	93	11
50-12K6	12	K6	8290	28130	20	206																																						
50-16K6	16	K6	8260	28070	20	256																																						
50-20K6	20	K6	8230	28000	25	300																																						
50-25K5	25	K5	6960	23070	25	312																																						
50-30K4	30	K4	5650	18170	25	300																																						
50-40K3	40	K3	4390	13750	25	294																																						